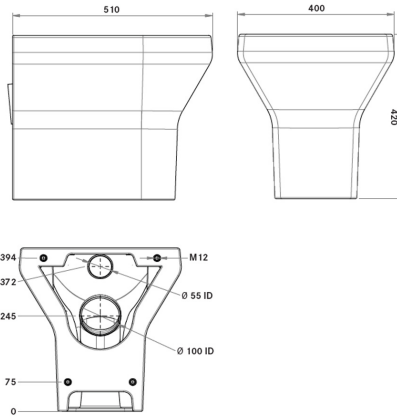


DELABIE | DVS

High security ligature resistant toilet



VR01-010

High security ligature resistant toilet

High Security WC Pan; water efficient 4 litre flush, domestic aesthetic, moulded impact resistant construction, vandal and ligature resistant, suitable for mental healthcare, healthcare and custodial applications. Available in 2 heights; standard or disabled.

Technical data

| | |
|---------------------|--|
| Material | High performance composite material |
| Gross weight | 16.8kg |
| Overall dimensions | 510mm (d) x 400mm (w) x 420mm (h) |
| Type of mounting | Thru-wall 4 x 12mm stainless steel allthread studding (incl.) |
| Flush inlet | Ø55mm |
| Waste outlet | Ø100mm |
| Single flush volume | 4L |

Additional features

| |
|--|
| Hygienic non-porous surface |
| Concealed rear waste outlet |
| Large trap to reduce blockages |
| Warm to touch surface, eliminates 'icy shock' |
| Fixing kit for walls up to 250mm thick provided, optional kits available |