

## Inset Basin with 2 Tap Holes VIN290R2TH

### Product Description:

Wash hand basin for inseting into a worktop. Manufactured from 304BA (1.4301) grade stainless steel. Material thickness is 1.2mm. Prepared for 32mm waste outlet and overflow hole with two tap holes in the rear ledge behind the bowl. Suitable for basin taps only (deck mixers cannot be fitted).

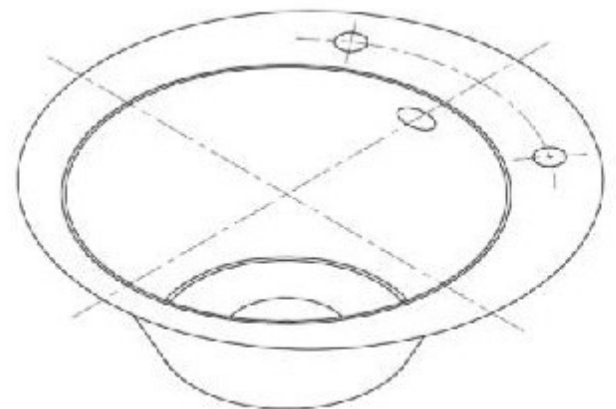
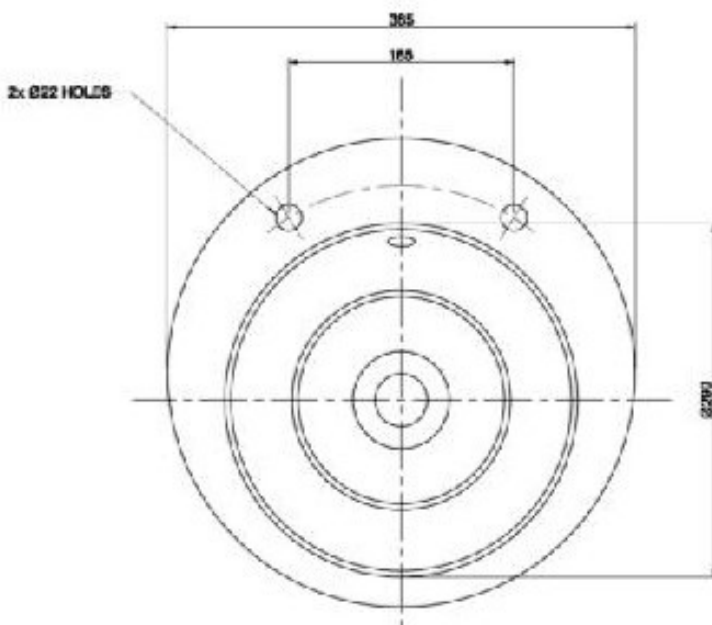
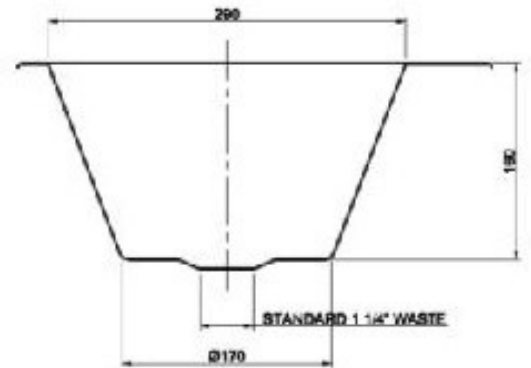
Can be supplied with or without overflow.

Taps not included but can be supplied, prices available on request



### Technical Specification:

Outer Dimensions (mm)	385 dia
Bowl Diameter (mm)	290 tapered to 170
Bowl Depth (mm)	160
Rim	Chamfered with offset bowl
Material	304 (1.4301) BA stainless steel
Material Thickness (mm)	1.2
Net Weight (kg)	TBC
Fixings	M4 40mm stainless steel fixing studs & fixings
Finish	Polished



**NOTES:**  
**MATERIAL TYPE 304BA STAINLESS**  
**STEEL 1.2mm THICK.**