

Multi-fold Paper Towel Dispenser Complete System

Product Codes:

Dispenser: 78850WH

Wall Plate: 78851BL

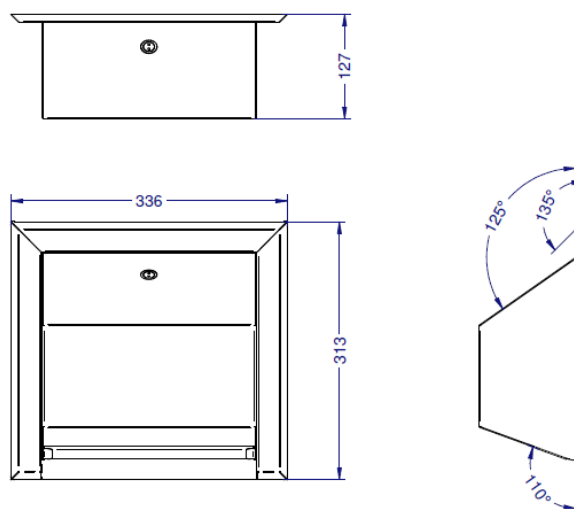


Product Description:

- Multi-fold paper towel dispenser suitable for different paper towel types
- Contemporary angular design reduces the potential to attach a ligature for the purposes of self-harm
- Internal 2mm stainless steel brackets provide strength to protect against vandalism
- Easy for staff to refill
- Strong baton lock protects the contents
- Manufactured from high grade stainless steel for robustness and durability
- White dispenser sits in a recess created by the blue wallplate



Material:	Stainless Steel
Dispenser Dimensions:	W.259mm x H.250mm x D.126mm
Wall Plate Dimensions:	W.336mm x H.313mm x D.10mm
Complete Dimensions:	W.336mm x H.313mm x D.127mm
Packing/Carton:	1 piece
Finish:	Powder Coated



Anti Ligature Shop

Soteria House, 51 Haydock Street, Bewlsey & Whitecross. Warrington. WA2 7UW

Tel: 03300 536020

Email: info@anti-ligatureshop.co.uk

Web: anti-ligature-shop.co.uk