

# 1L Soap Dispenser Complete System

Product Codes:

Dispenser: 51030WH

Wall Plate: 50062BL

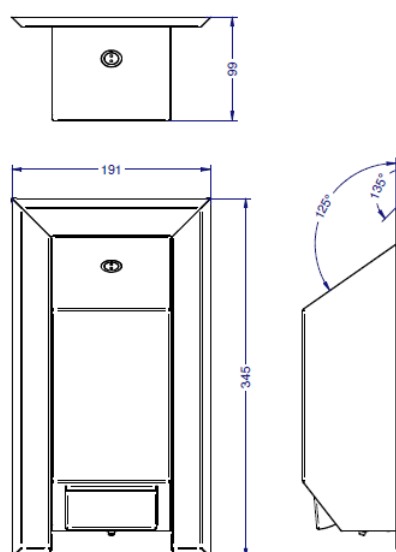


## Product Description:

- 1L Liquid Soap dispenser
- Contemporary angular design reduces the potential to attach a ligature for the purposes of self-harm
- Internal 2mm stainless steel brackets provide strength to protect against vandalism
- Easy for staff to refill the soap reservoir
- Strong baton lock protects the contents
- Manufactured from high grade stainless steel for robustness and durability
- Powder coated for a durable finish
- White dispenser sits in a recess created by the blue wallplate



<b>Material:</b>	Stainless Steel
<b>Dispenser Dimensions:</b>	W.120mm x H.280mm x D.98mm
<b>Wall Plate Dimensions:</b>	W.191mm x H.345mm x D.10mm
<b>Complete Dimensions:</b>	W.191mm x H.345mm x D.99mm
<b>Packing/Carton:</b>	1 piece
<b>Finish:</b>	Powder Coated



## Anti Ligature Shop

Soteria House, 51 Haydock Street, Bewlsey & Whitecross. Warrington. WA2 7UW

Tel: 0151 424 2992

Email: [info@anti-ligatureshop.co.uk](mailto:info@anti-ligatureshop.co.uk)

Web: [anti-ligature-shop.co.uk](http://anti-ligature-shop.co.uk)



Contact enquiries@lig-safe.co.uk for any specific training / testing requirements.