

## Step 6 : Remove protective film

Once adhesives and anti-pick are dry remove protective film from the mirror to complete the installation.

**IMPORTANT:** Do not use sharp or abrasive objects to remove protective film.

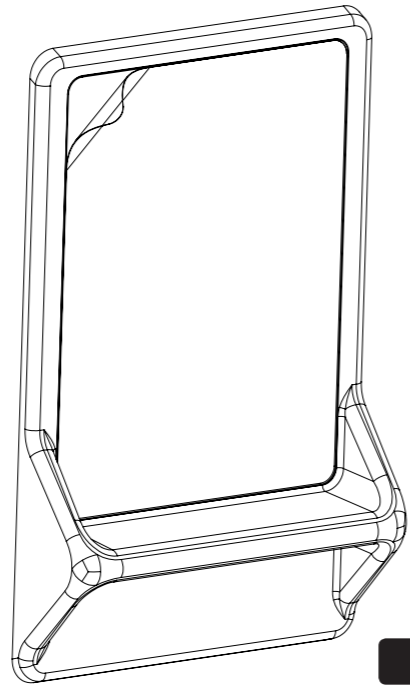


Fig 2

## Warranty & Contact

### Warranty

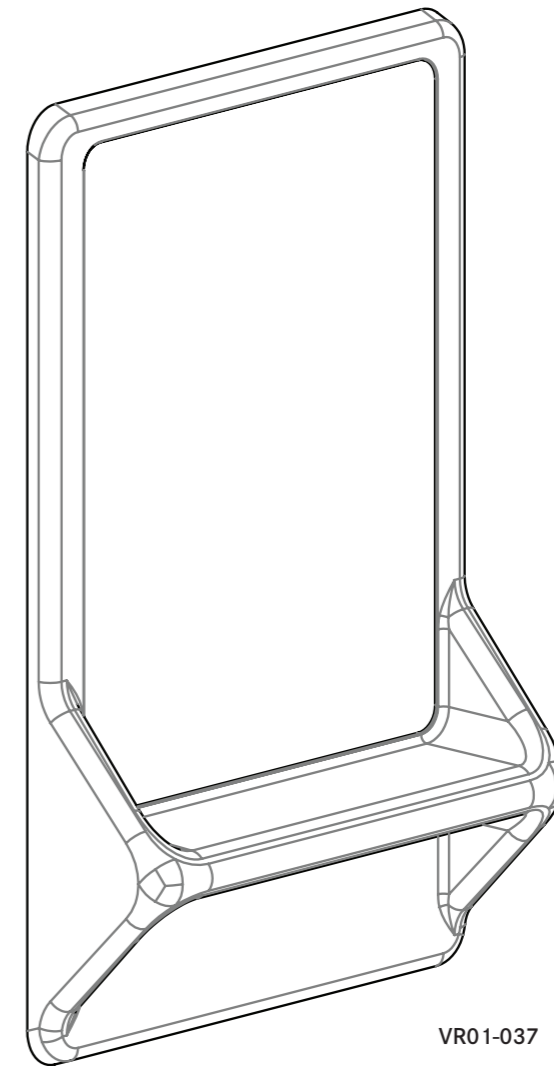
The Safe Ensuite Mirror with Shelf is guaranteed for 5 years from purchase against defective material and assembly (valid on purchases made from 01/01/15 onwards).

### Support

For technical support please visit our technical pages on our website at [www.dartvalley.co.uk](http://www.dartvalley.co.uk), contact us by email at [kwcdvstechsupport@kwc.com](mailto:kwcdvstechsupport@kwc.com) or alternatively call us direct on 01803 529021.

# KWC DVS

## Safe Ensuite Mirror with Shelf Installation Instructions



VR01-037

## Step 1 : Safety First

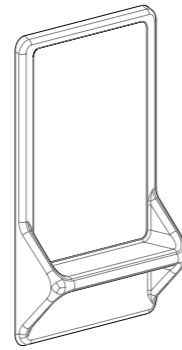
These instructions relate to the installation of the Safe Ensuite Mirror with Shelf only, any external or 'add-on' parts will be supplied with separate instructions.

**IMPORTANT** : Please read these instructions carefully and follow each stage in order!



## Step 2 : Parts

Your kit will comprise of the parts below:



1x Safe Ensuite Mirror with Shelf (VR01-037)

\*Not to scale

1x Instruction Manual

## Step 3 : Applying the adhesive

A structural adhesive is required which is the sole securing means for this product.

It may be that certain anti-pick adhesives have sufficient bonding characteristics to use as adhesive and sealant.

High Tack Bonding Adhesive (VR00-010) is used on some applications and suits the following plastics:

- ABS Acrylics (PMMA)
- Polyester (PBT, PET)
- Vinyls (PVC)
- Polyurethanes

And the following composites:

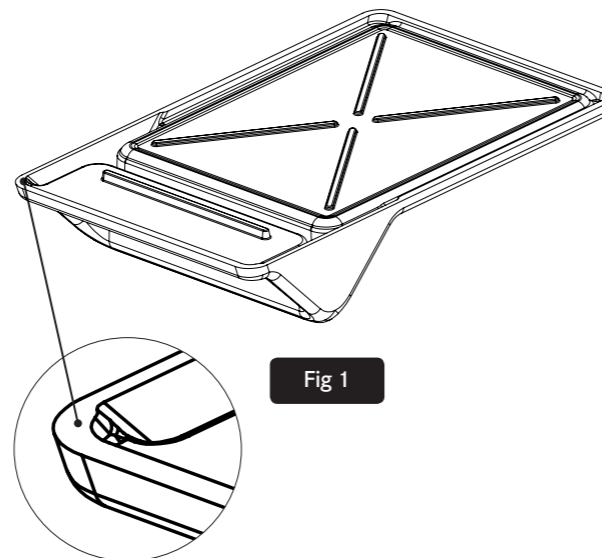
- Fibreglass
- Gelcoats
- SMC Phenoucs
- Laminates RTM.

Apply adhesive to the complete outer edge (as illustrated in Fig.1 opposite).

High Tack Bonding Adhesive working time: 10 mins  
High Tack Bonding Adhesive fixture time: 24 hours

High Tack Bonding Adhesive (VR00-010)

**Important:** Be sure to leave protective film on until final stage to protect the mirror from adhesives and anti-pick.



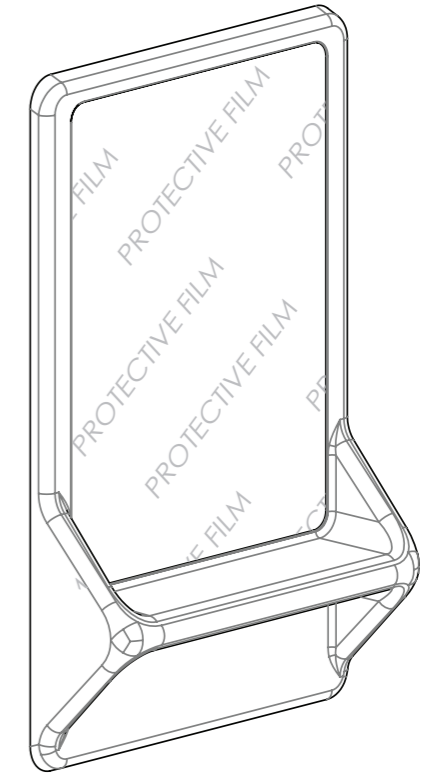
## Step 4 : Mounting the mirror

Push the mirror against the wall and check that its level.

To provide a suitable bond, the gap depth of bonding material should be 1 mm to 2mm after compressing.

Immediately clean the excess adhesive off the wall. Make sure the dish is level and leave to dry.

**Note:** It is recommended that panel pins are used for the mirror frame to sit on whilst the structural adhesive sets, then remove pins. This ensures that the mirror maintains its original position.



## Step 5 : Applying the anti-pick

Once the adhesive is dry, complete the installation by finishing with anti-pick sealant around the full perimeter of the dish.

This ensures no ligature gaps and adds extra support strength.

Depending on the local site requirements, anti-pick or silicone sealant can be used.

**Important:** Be sure to leave protective film on until final stage to protect the mirror from adhesives and anti-pick.

