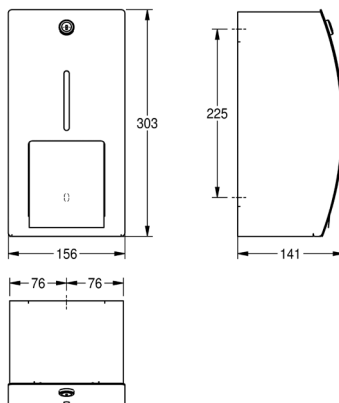


## KWC

### Toilet roll holder for wall mounting



#### STRX672

Toilet roll holder

Double toilet roll holder with spindle system for wall mounting, stainless steel, surface satin finished, front with InoxPlus surface refinement for the reduction of finger marks and better cleaning characteristics (easy to clean), material thickness 1.5 mm, curved front cover, cylinder lock with KWC standard key, for 2 rolls with max. diameter 120mm, second roll will be released after consumption of first roll, with spindles, reserve roll not visible, includes stainless steel screws and dowels.

Dimensions 156 x 303 x 141 mm (W x H x D)

#### Technical data

Maximum depth / diameter of consumables	120mm
Maximum width of consumable	100mm
Filling quantity	2
Filling quantity uom	rolls
Lock	Key-lock
Material	Stainless steel
Material code	1.4301 chrome nickel steel V2A
Material thickness	1.5mm
Overall depth	141mm
Overall height	33mm
Overall width	156mm
Spindle	Yes
Surface treatment	InoxPlus (anit-fingerprint)
Type of fixing	Screw
Type of mounting	Wall mounting