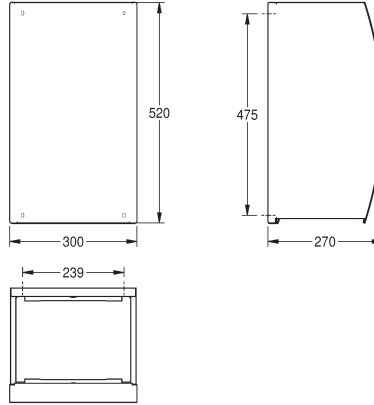


KWC

Waste bin for wall mounting

Model line: STRATOS | **STRX605**



STRX605

Waste bin for wall mounting

Waste bin for wall mounting, stainless steel, surface satin finished, front with InoxPlus surface refinement for the reduction of finger marks and better cleaning characteristics (easy to clean), material thickness 1.5mm, curved front cover, cylinder lock with KWC standard key, approx. 34 liter capacity, integrated bag holder, includes stainless steel screws and dowels.

Dimensions 300 x 520 x 270 mm (W x H x D)

Technical data

Bag holder	Yes
Filling volume	34 litre
Lid	No
Lock	Key-lock
Material	Stainless steel
Material code	1.4301 chrome nickel steel
Material thickness	1.5mm
Overall depth	270mm
Overall height	520mm
Overall width	300mm
Surface treatment	InoxPlus (anti-fingerprint)
Type of fixing	Screw
Type of mounting	Wall mounting