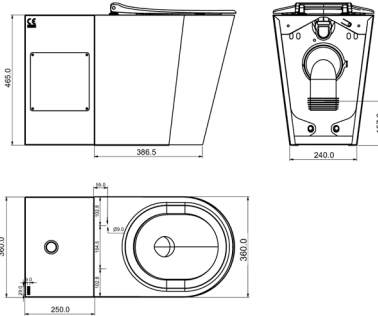


KWC

Floor standing accessible WC

G21748NT



G21748NT

Floor standing accessible WC 480mm high

Floor standing disabled persons WC pan, manufactured from grade 1.4301 (304) stainless steel - satin polish finish, material thickness of 1.5mm for the pan and shroud with a stainless steel P trap 102mm o/d, supplied complete with multikwik connector. A flush bend and 90° plastic bend are provided for the cistern downpipe connection. Rear mounting plate with 4 no. stainless steel bolts supplied, for mounting onto duct wall.

The front of the WC is fixed to the floor using a joggle strip. Pipe fixing is achieved by using the side access panel provided. The WC is supplied with a disabled person's white plastic seat. WC supplied with hole for downpipe. WC without hole can be supplied on request.

Technical data

Gross weight	26.00 kg
Diameter nominal	DN 32
Material	Stainless steel
Material code	1.4301 Chrome Nickel steel V2A
Material thickness	1.50 mm
Minimum flushing capacity	4.00 liter
Net weight	24.60 kg
Outlet size	DN 100
Overall depth	750.00 mm
Overall height	480.00 mm
Overall width	360.00 mm
Toilet seat colour	White
Surface finish	Satin finished
Type of mounting	Wall and floor mounting
Type of mounting	Wall mounting