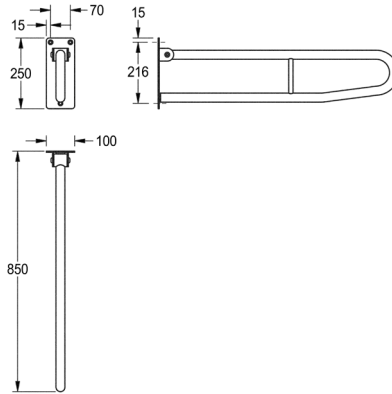


KWC

Foldable grab rail



CNTX73B

Foldable grab rail

Foldable grab rail without toilet roll holder for wall mounting, stainless steel, surface satin finished, rough polishing for better surface feel, 32mm pipe diameter, material thickness 1.2mm, prevention against unmeant folding, gum rubber stop absorber, inspected and certified product, 4mm thick mounting plate with three fixing holes, including stainless steel screws and dowels.

Technical data

Back	No
Bending angle	180 degree
Colour	No colour
Number of fixing points	3
Gross weight	3.73kg
Hidden fixing	No
Hinged	Yes
Material	Stainless steel
Material code	1.4301 chrome nickel steel V2A
Material thickness	1.2mm
Overall depth	850mm
Overall height	250mm
Overall width	100mm
Pipe diameter	32mm
Surface finish	Satin finish
Type of fixing	Screw
Type of grab rail	Support bar
Type of mounting	Wall mounted