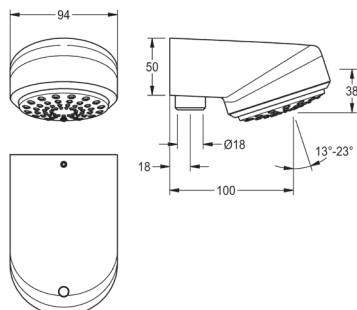


**KWC**

AQUAJET - Comfort shower head

**SHAC0008**



## SHAC0008

AQUAJET-Comfort shower head for surface pipe mounting

AQUAJET-Comfort shower head DN 15 with infinitely angle-adjustable plastic jet face 13° - 23°, anti-calcification system and low aerosol formation. Model for surface pipe installation 18 mm and enclosed flow controllers 6.0 l/min, 9.0 l/min and 12.0 l/min. Housing polished chromium-plated brass. Also suitable for showertrays, 800 x 800 mm.

### Technical data

|                           |                   |
|---------------------------|-------------------|
| Diameter nominal          | DN 15             |
| Spout projection          | 100 mm            |
| Adjustable tilt angle     | Yes               |
| Type                      | Shower head       |
| Type of connection        | Pipe connection   |
| Type of shower head       | Spray shower head |
| Volume flow rate at 3 bar | 0.3 l/s           |