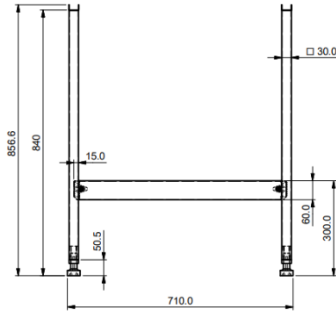


KWC

Catering sink underframe



K20674N

Catering sink underframe

Stainless steel catering sink underframe.

Technical data

Material thickness	1.2mm
Overall depth	450mm
Overall height	50mm
Overall width	620mm
Material	Stainless steel
Material code	1.4301 chrome nickel steel V2A
Tailor made	No
Type of mounting	No mounting
Surface finish	Satin finish