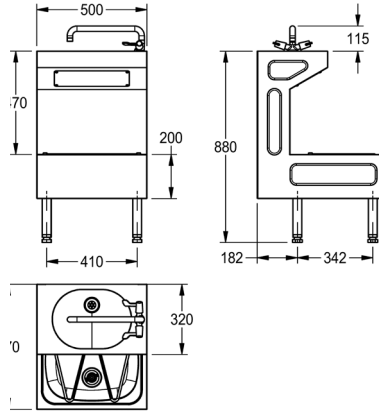


KWC

Janitorial unit

Model line: JANITORIAL UNIT | **G20055N**



G20055N

Janitorial unit

Floor standing healthcare compliant janitorial unit. Manufactured from 1.2mm thick, grade 1.4301 (304) stainless steel (except for lower bowl - 0.9mm). Supplied complete with lever operated monobloc mixer, copper tails, 32mm flush grated waste outlet for top wash bowl and 38mm domed waste (for lower bowl). The janitorial unit can be fixed with 4 legs for floor standing or part wall hung / floor standing by using two of

the front legs or alternatively can be fitted as a wall hung unit by using the joggle strip provided. Manufactured in accordance with HTM 64 / HBN 00-10, Part C Standards.

Technical data

Bowl - bowl depth	180mm
Bowl - depth	360mm
Bowl - width	420mm
Grid	Fixed
Grid material	Stainless steel
Material	Stainless steel
Material code	1.4301 chrome nickel steel
Material thickness	1.2mm
Overall depth	570mm
Overall height	880mm
Overall width	500mm
Rear upstand	No
Splash back	No
Surface finish	Satin finish
Tap ledge	Yes
Type of mounting	Wall mounting
Waste hole position	Centre back
Waste size	880mm
Overall width	DN 40