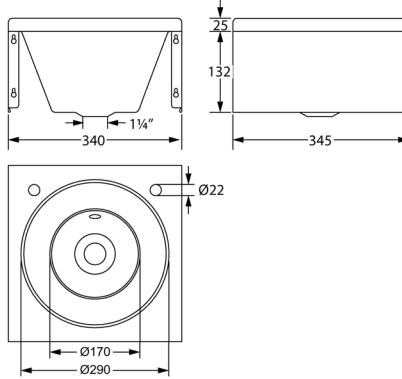


KWC

MODEL B Washbasin

Model line: MODEL B WASHBASIN | **D20162N**



D20162N

Washbasin

Model B 290mm diameter wall mounted washbasin with apron. Manufactured from 0.9mm thick grade 1.4301 (304) stainless steel with a high polished finish. The basin is prepared for 32mm waste outlet and is supplied with two tap holes in the rear ledge, and an overflow. The basin is wall mounted using the fixing holes provided in both the rear up-stand and the rear apron fixing brackets for extra security.

Screws and plugs are not supplied.

Technical data

Bowl - bowl depth	153mm
Bowl finish	Satin finished
Bowl depth	290mm
Bowl shape	Circle
Gross weight	2.92kg
Material	Stainless steel
Material code	1.4301 Chrome Nickel steel V2A
Material thickness	0.9mm
Overall depth	345mm
Overall height	185mm
Overall width	340mm
Overflow	Yes
Rear upstand	Yes
Splash back	No
Surface finish	Satin finished
Tap ledge	Yes
Type of mounting	Wall mounting
Waste hole position	Centre
Waste hole projection	172mm
Waste kit included	Yes
Waste size	DN 32
Net weight	2.52kg