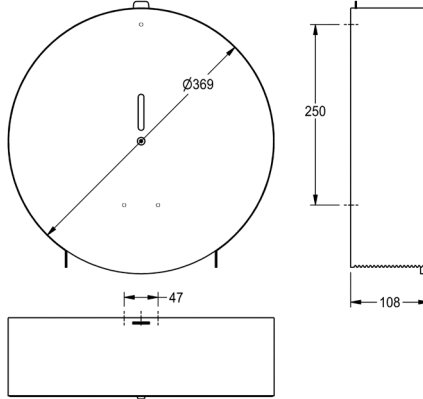


## KWC

### Jumbo toilet roll holder



#### CHR670

Jumbo toilet roll holder

Jumbo roll holder for wall mounting, stainless steel, surface satin finished, material thickness 0.9 mm, closed round casing with inspection window, paper withdrawal over two tear-off edges, locked with hexagonal allen screw, for 1 roll with max. Ø 350 mm, incl. stainless steel screws, dowels and hexagonal allen key.

#### Technical data

|                                      |                                |
|--------------------------------------|--------------------------------|
| Maximum depth/diameter of consumable | 350mm                          |
| Maximum width of consumable          | 100mm                          |
| Filling quantity                     | 1 roll                         |
| Gross weight                         | 2.42kg                         |
| Lock                                 | Screw-lock                     |
| Material                             | Stainless steel                |
| Material code                        | 1.4301 chrome nickel steel V2A |
| Material thickness                   | 0.9mm                          |
| Net weight                           | 1.9kg                          |
| Overall depth                        | 108mm                          |
| Overall height                       | 369mm                          |
| Overall width                        | 369mm                          |
| Spindle                              | Yes                            |
| Surface finish                       | Satin finished                 |
| Type of fixing                       | Screw                          |
| Type of mounting                     | Wall mounting                  |