

TAP CONTROL SYSTEM FOR 1 OR 2 TAPS

Model line: TAP CONTROL SYSTEMS



AT07-001

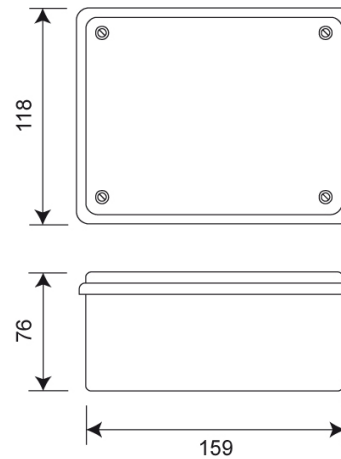
TAP CONTROL SYSTEM

The Tap Control System controls mixed water for 1 or 2 spouts, or to control both hot and cold on a single spout.

Suitable for use with KWC DVS wave-on or tactile sensor operation.

Technical data

Material	ABS
Gross weight	0.70 kg
Type of mounting	Wall mounted
Power source	Mains
Voltage	230V a.c.
Sensor voltage	5V DC
Valve voltage	12V DC
Valve power	3W normally closed
Control inputs	Sensor 1, sensor 2
Control outputs	Valve 1, valve 2
Control configuration	Controls valves for 1 or 2 spouts, or hot and cold valves for single spout
Operation type	Wave-on or tactile sensor (sold separately)
IP rating	54
Current	0.055A
Frequency	50Hz
Settings	
Adjustable timing	6 - 20 secs (Default 6 secs)
Purge facility	Yes (ON / OFF) Default OFF
Operations lock out	Yes (ON / OFF)



**ALL DIMENSIONS IN MM
UNLESS STATED OTHERWISE**