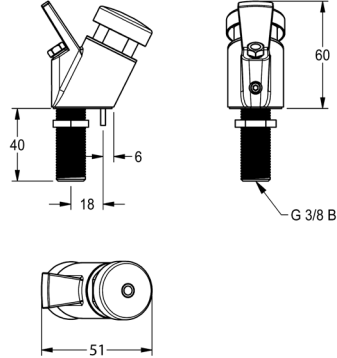


KWC

Self-closing drinking bubbler

Model line: ANIMA | **ANMX-BU**



ANMX-BU

Self-closing drinking bubbler

ANIMA drinking fountain tap for drinking fountains made of stainless steel or resin-bonded mineral MIRANIT, with push button, adjustable water jet, chrome-plated brass housing with anti-twist protection, G 3/8 B connection.

Technical data

Inlet size	DN 10
Material fitting	Brass
Type of mixing	No
Surface finish casing	Chrome
Surface finish fitting	Chrome
Type of mounting	Mounted on product
Type of operation	Manual operation
Type of tap	Pillar tap