

# SAFE ENSUITE BASIN

## VR01-030

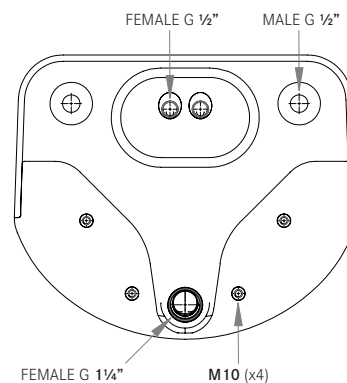
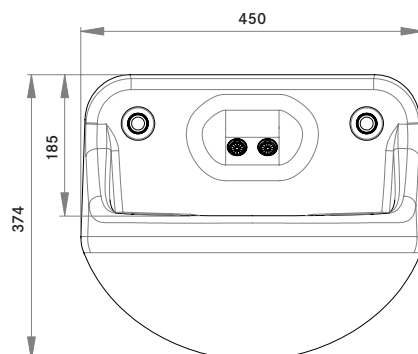
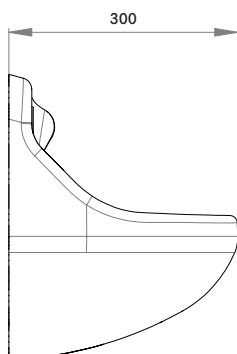
Safe Ensuite Basin; moulded impact resistant construction, vandal and ligature resistant, suitable for mental healthcare, healthcare and custodial applications.

### PRODUCT NUMBER

VR01-030

### TECHNICAL DATA

Material	GRP / Polyester gel coat
Gross weight	10.00 kg
Overall dimensions	450mm (w) x 374mm (h) x 300mm (d)
Type of mounting	4 x 10mm Stainless Steel allthread studding (incl.)
Dual function	Basin and moulded soap shelves
Tap outlets	Pressure compensating 5 L/min
Water channel	Integrated stainless steel water spouts
Waste outlet	Rear concealed waste outlet (requires 1 1/4"/32mm running trap)
Waste grid	Stainless Steel anti-ligature
Additional features	Wave-on or tactile control options available Fixing kit for IPS panels provided, optional kits available



30/07/14 Dart Valley Systems